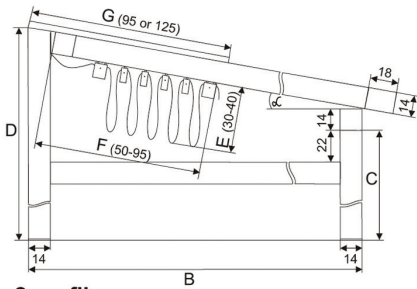


Pergolamarkis AHP 1200

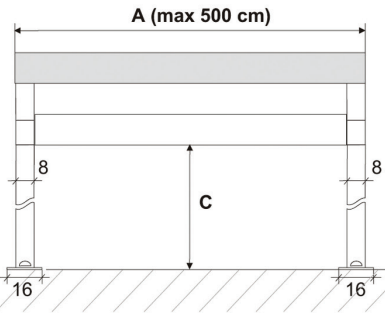


» Drawing

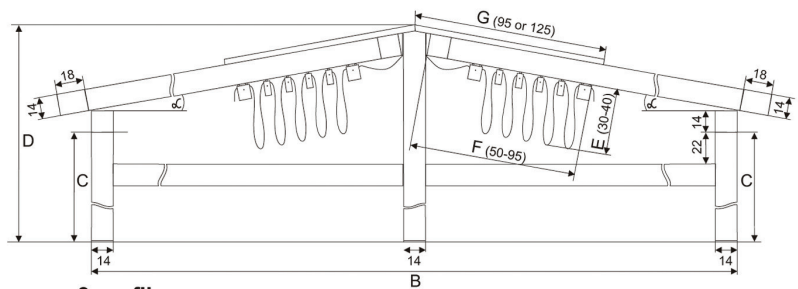
single structure



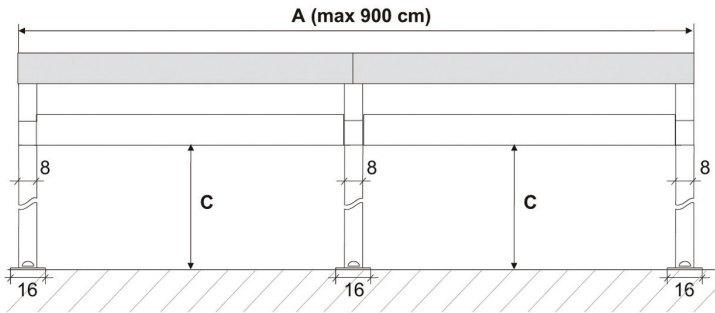
2 profiles



double structure



3 profiles



A - Width

E - Space for fabric after closing

B - Projection (Depth)

F - Space for fabric after closing

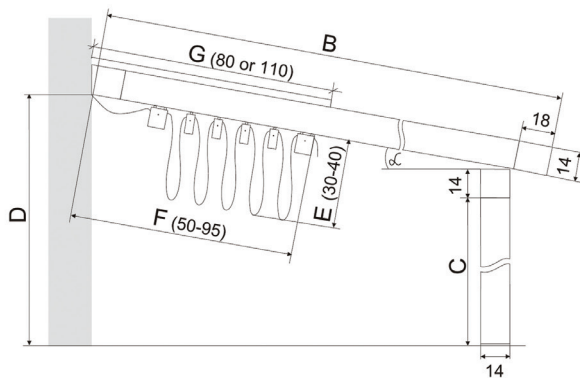
C - Pilar height

G - Lenght of roof

D - Total height

α - Angle (4°- 12°)

» Drawing



A - Width

B - Projection (Depth)

C - Pilar height

D - Wall height

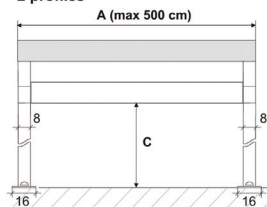
E - Space for fabric after closing

F - Space for fabric after closing

G - Lenght of roof

α - Angle (4°- 12°)

2 profiles



3 profiles

